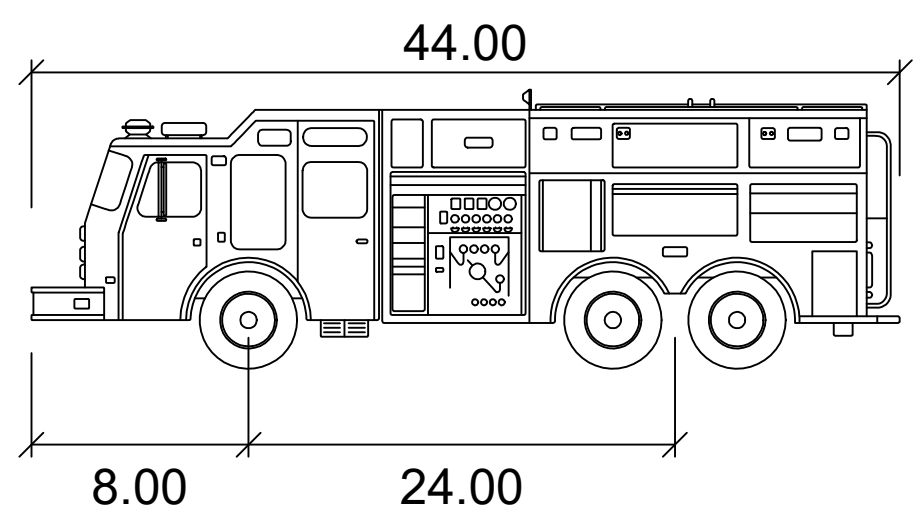
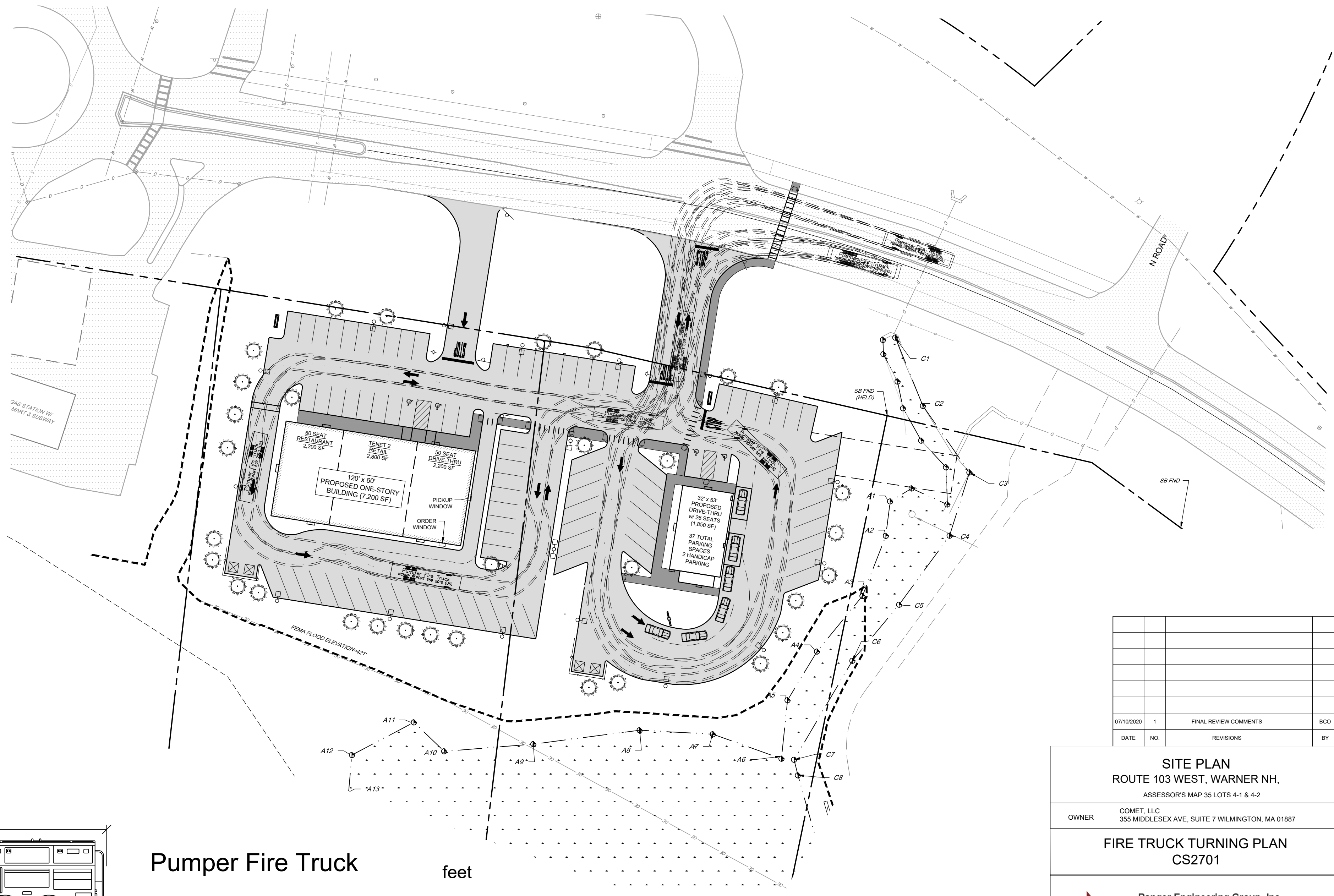
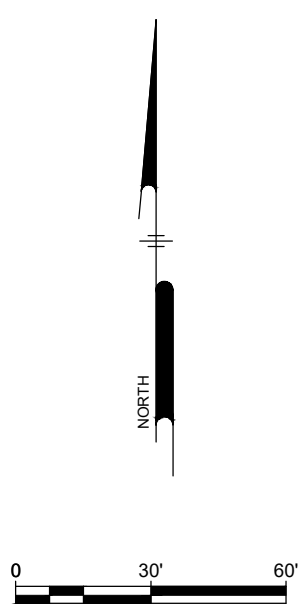


D:\PROJECTS\CH-2\CHANNEL BUILDING\15-04 - WARNER MIDDLESEX\_PUMPER FIRE TRUCK TURNING PLAN.dwg PLOT DATE: 7/20/2020 3:41 PM BY: CDR/BAW PLOT STYLE: PROJECT STATUS: -



**Pumper Fire Truck**

Width	: 8.50
Track	: 8.50
Lock to Lock Time	: 6.0
Steering Angle	: 37.8

feet

WARNER PLANNING BOARD CHAIRMAN: \_\_\_\_\_

DATE: \_\_\_\_\_

DATE	NO.	REVISIONS	BY
07/10/2020	1	FINAL REVIEW COMMENTS	BCO

**SITE PLAN**  
 ROUTE 103 WEST, WARNER NH,  
 ASSESSOR'S MAP 35 LOTS 4-1 & 4-2

OWNER: COMET, LLC  
 355 MIDDLESEX AVE, SUITE 7 WILMINGTON, MA 01887

**FIRE TRUCK TURNING PLAN**  
 CS2701

**Ranger Engineering Group, Inc.**  
 13 Branch Street, Suite 101  
 Methuen, MA 01844  
 Tel: 978-208-1762  
 rangereng.com