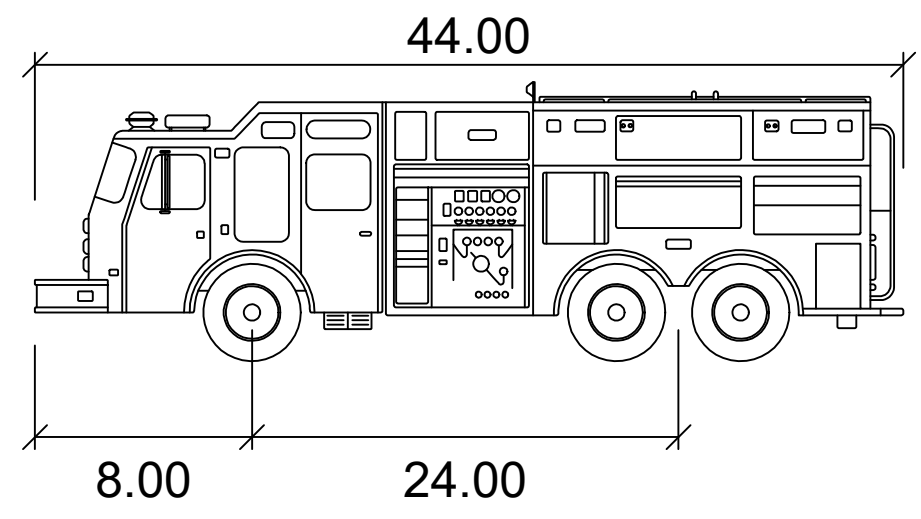
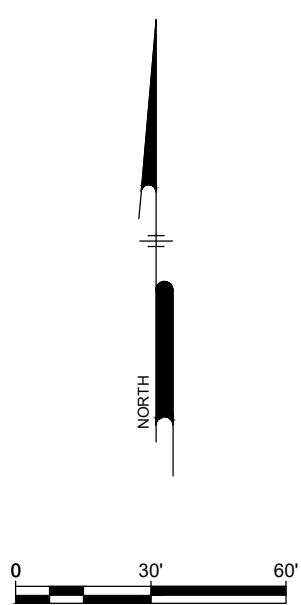
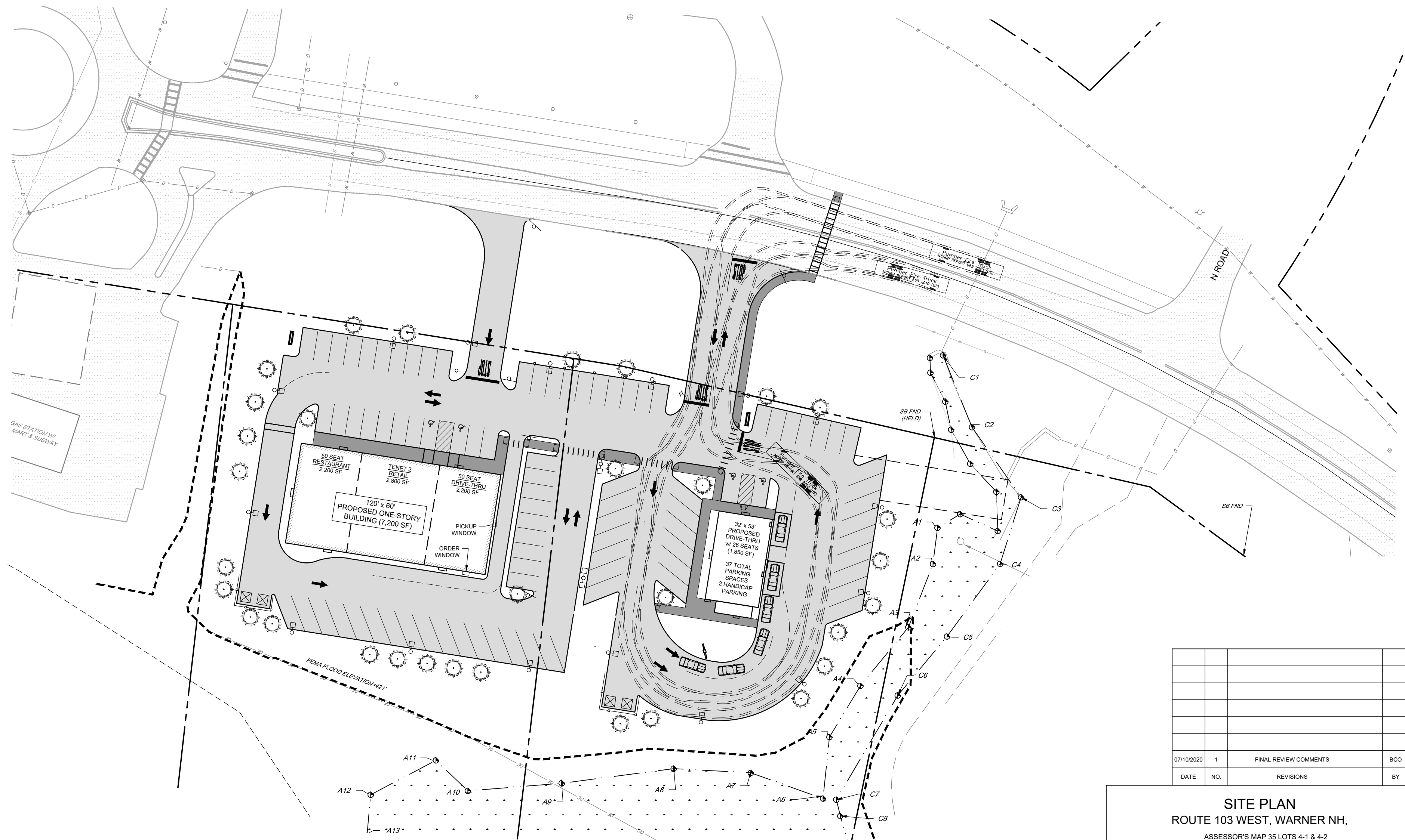


D:\PROJECTS\CH-CHANNEL BUILDING\15-04 - WARNER MIDDLESEX FIRE TRUCK TURNING PLAN.dwg PLOT DATE: 7/20/2020 3:40 PM BY: DS-BHW PLOT STYLE: PROJECT STATUS:



Pumper Fire Truck

Width	: 8.50
Track	: 8.50
Lock to Lock Time	: 6.0
Steering Angle	: 37.8

DATE	NO.	REVISIONS	BY
07/10/2020	1	FINAL REVIEW COMMENTS	BCO

SITE PLAN
 ROUTE 103 WEST, WARNER NH,
 ASSESSOR'S MAP 35 LOTS 4-1 & 4-2

FIRE TRUCK TURNING PLAN
 CS2702


Ranger Engineering Group, Inc.
 13 Branch Street, Suite 101
 Methuen, MA 01844
 Tel: 978-208-1762
 rangereng.com

WARNER PLANNING BOARD CHAIRMAN: _____

 DATE: _____